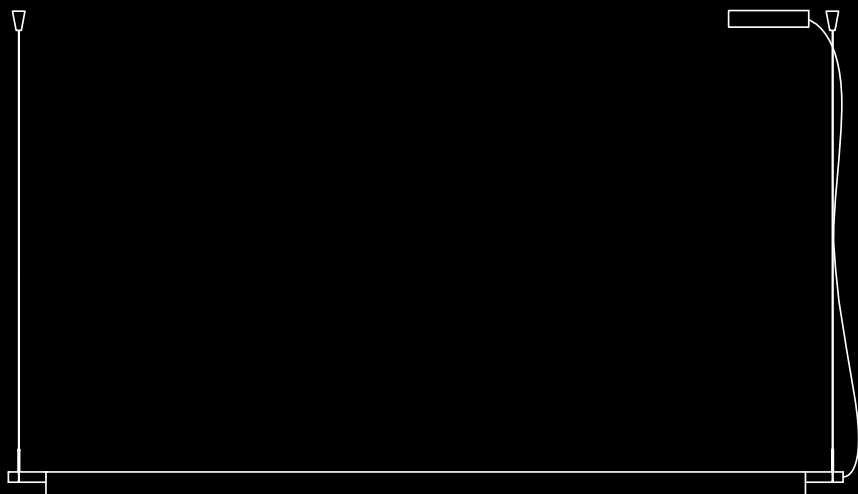


COMPENDIUM

design Daniel Rybakken

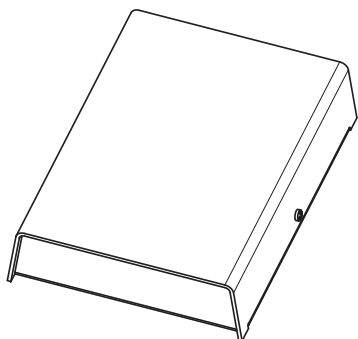


**LUCE
PLAN**

D81/25T - D81/25D

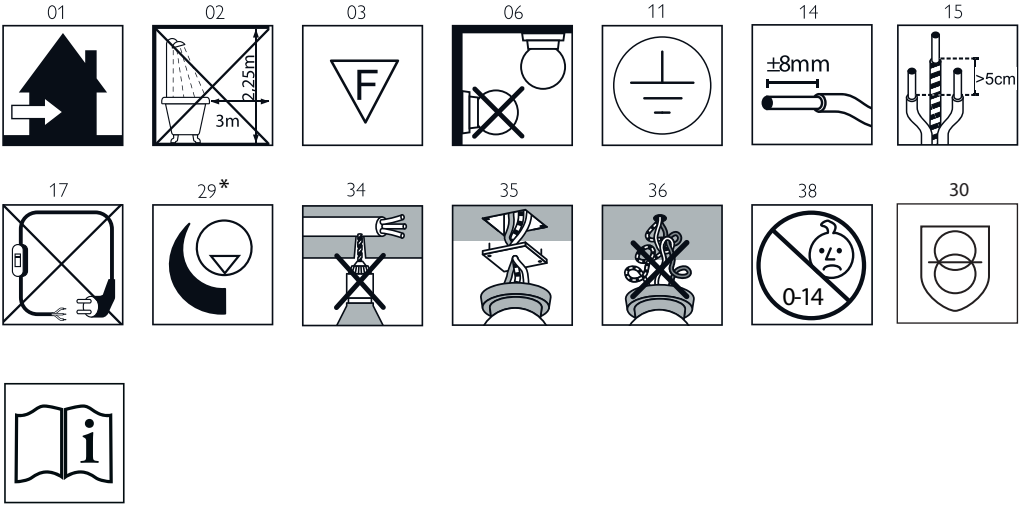


D81/25T
D81/25D



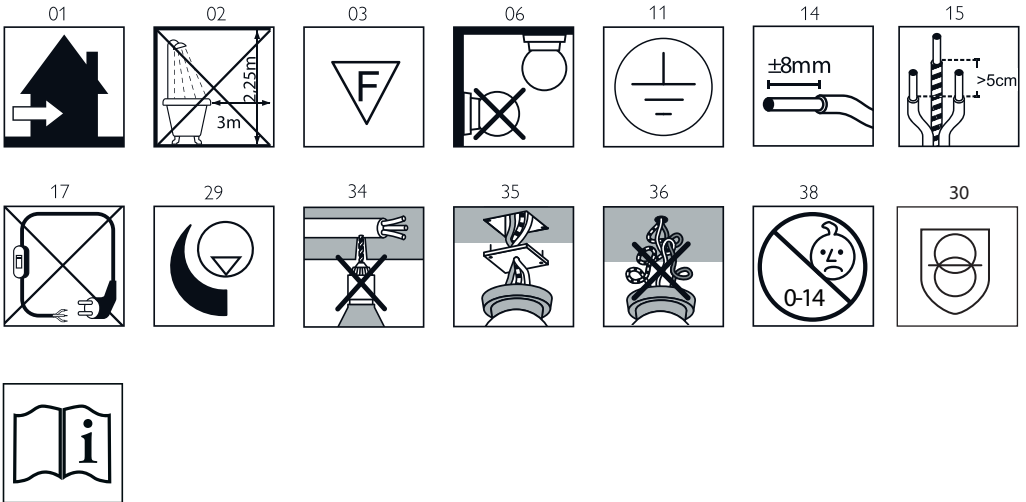
+ D81B2
D81BW2

D81/25T

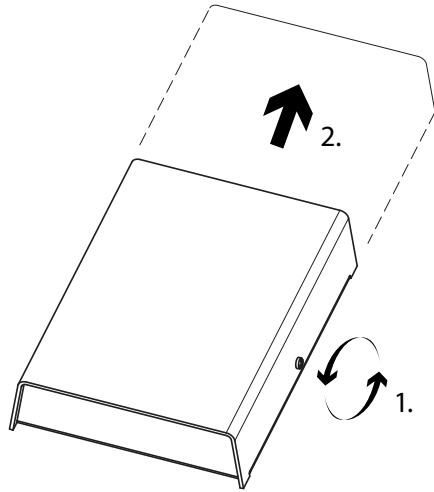
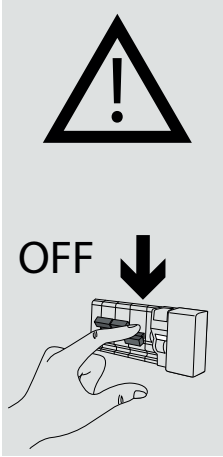


* Compatible wall mounted dimmers - <http://www.luceplan.com>

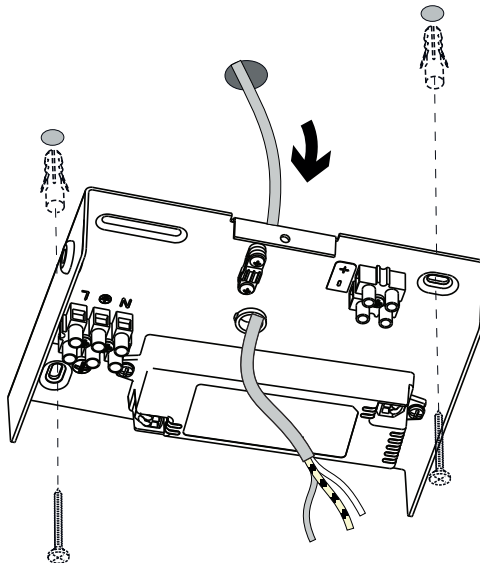
D81/25D



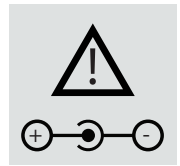
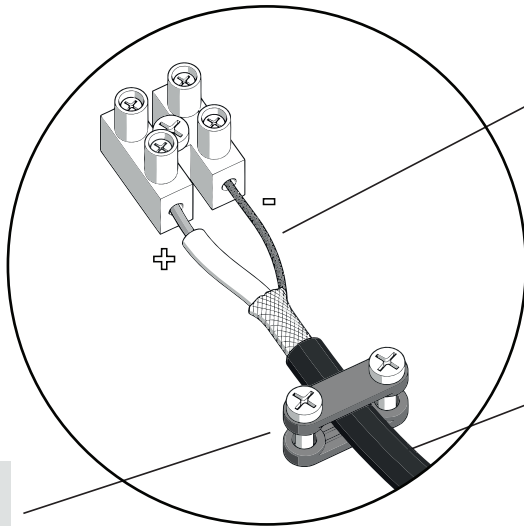
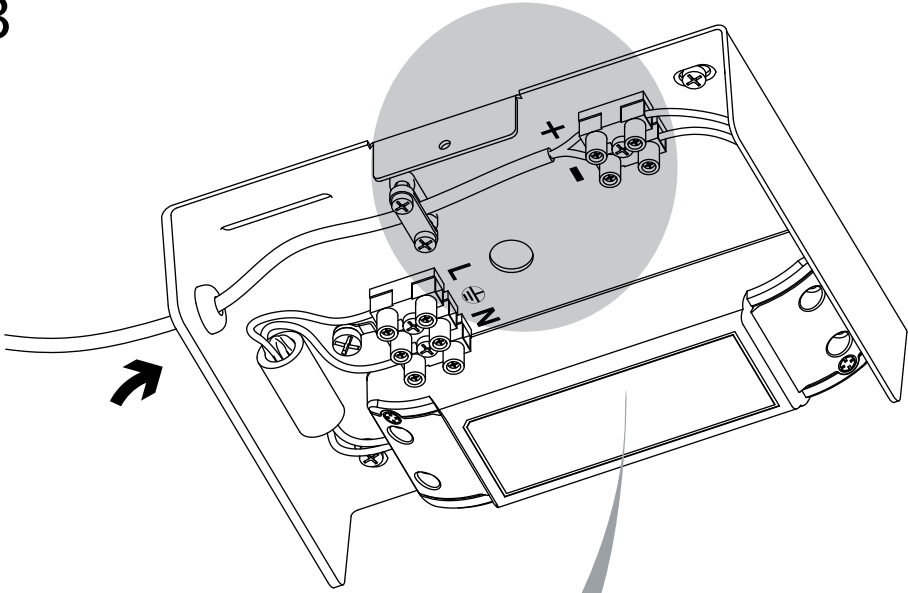
1



2

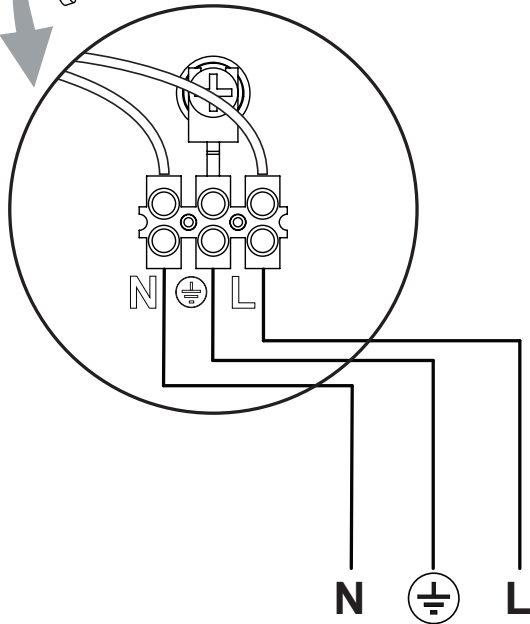
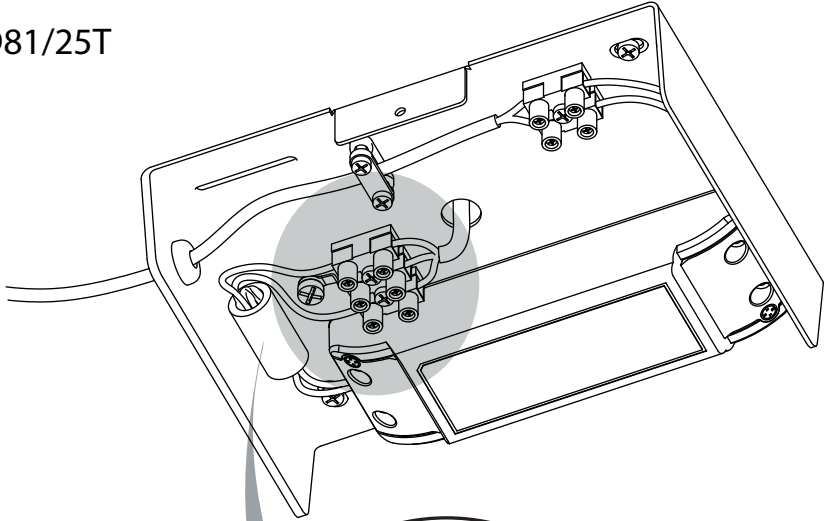


3

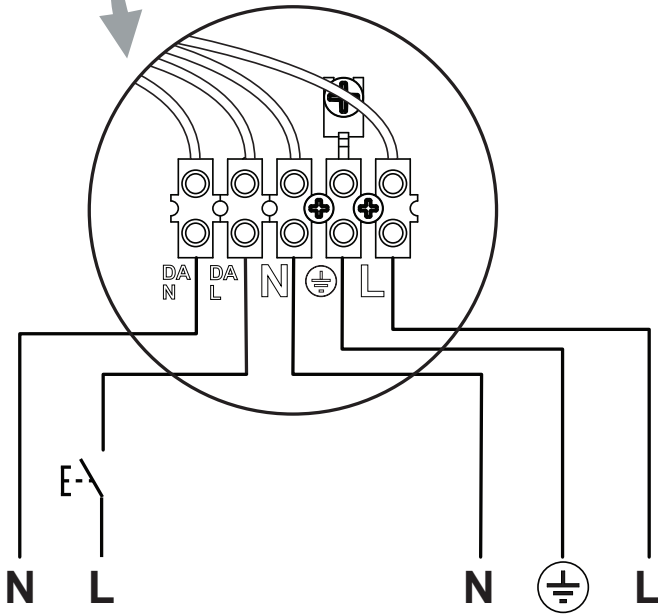
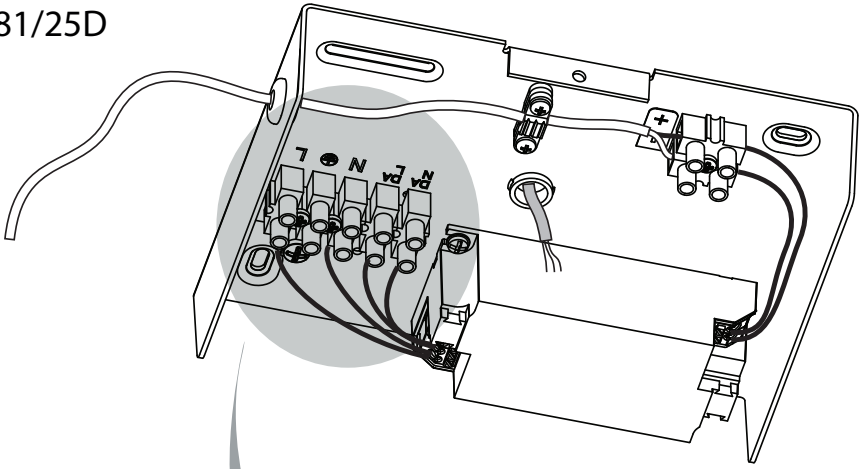


D81/B2
D81/BW2

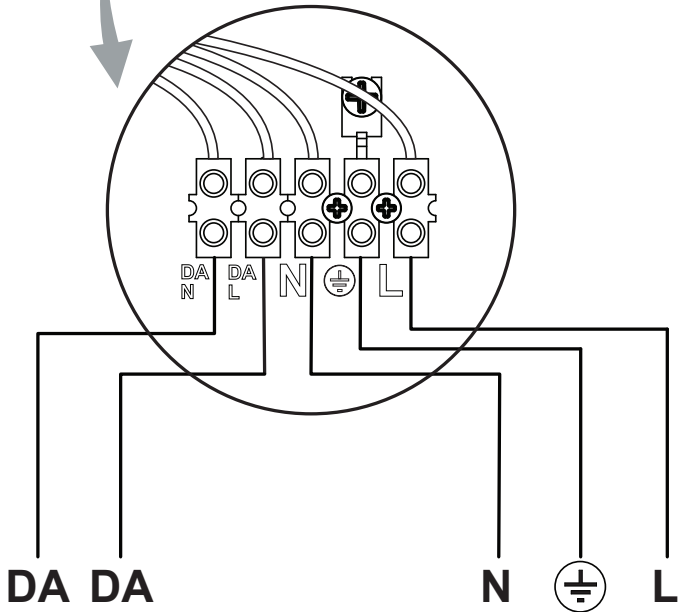
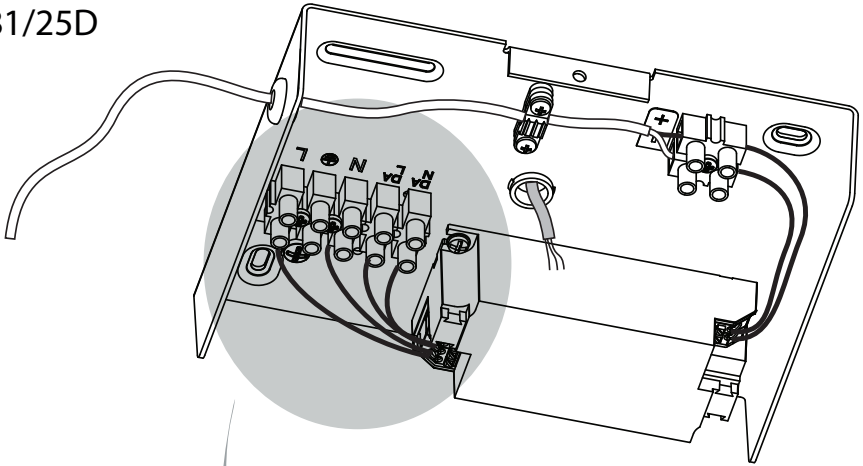
4 D81/25T



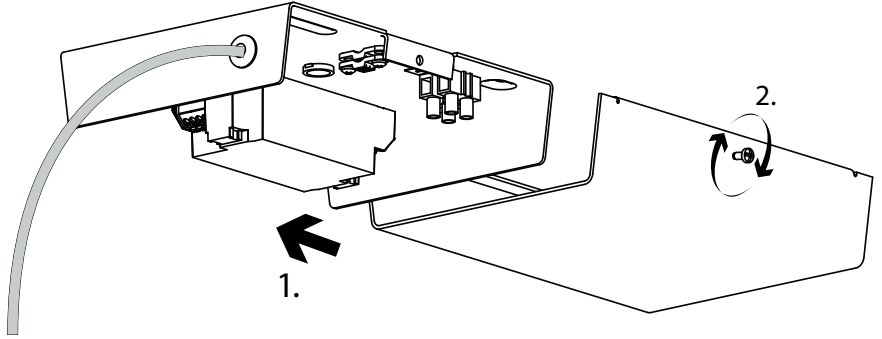
4 D81/25D

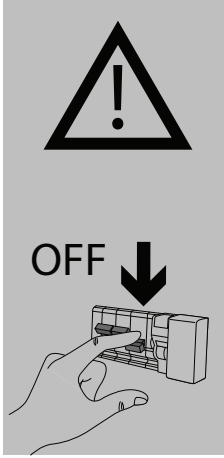


4 D81/25D

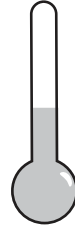
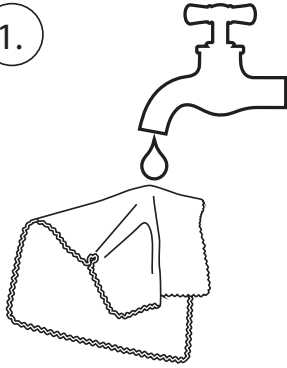


5





1.

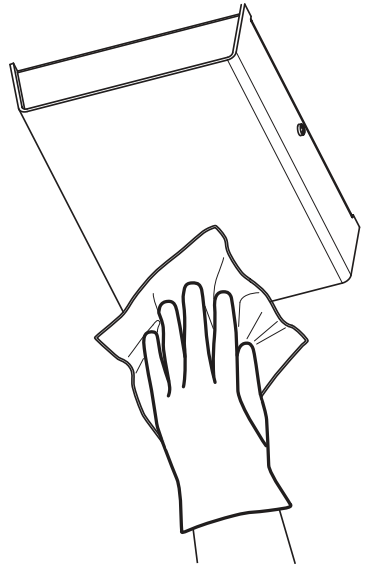


max 30°

2.



3.





www.luceplan.com

D81010210